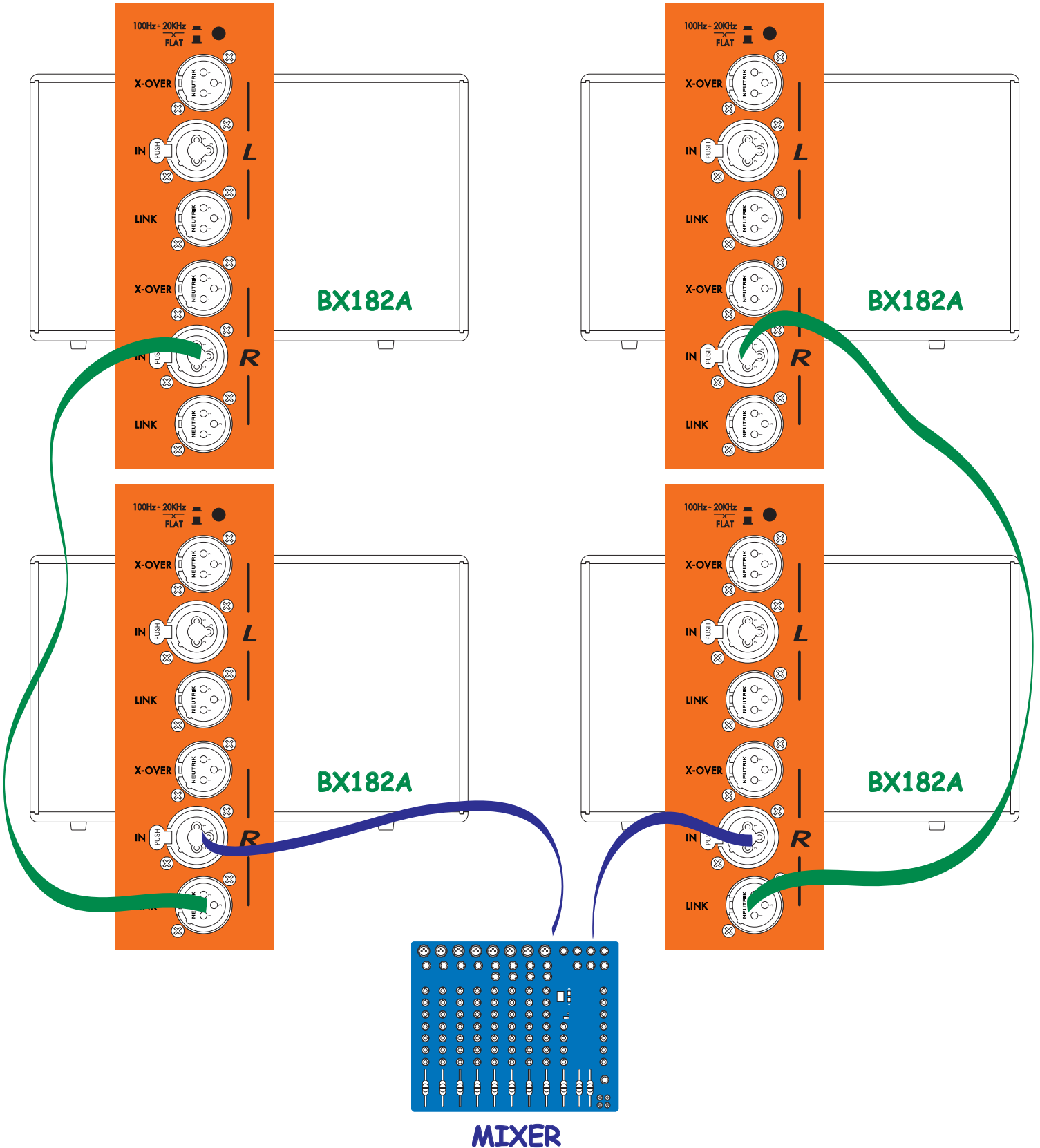




Parallel connection of two or more BX182A

always use balanced shielded cables



MIXER L/R OUTPUTS → BX182A 'R' INPUTS

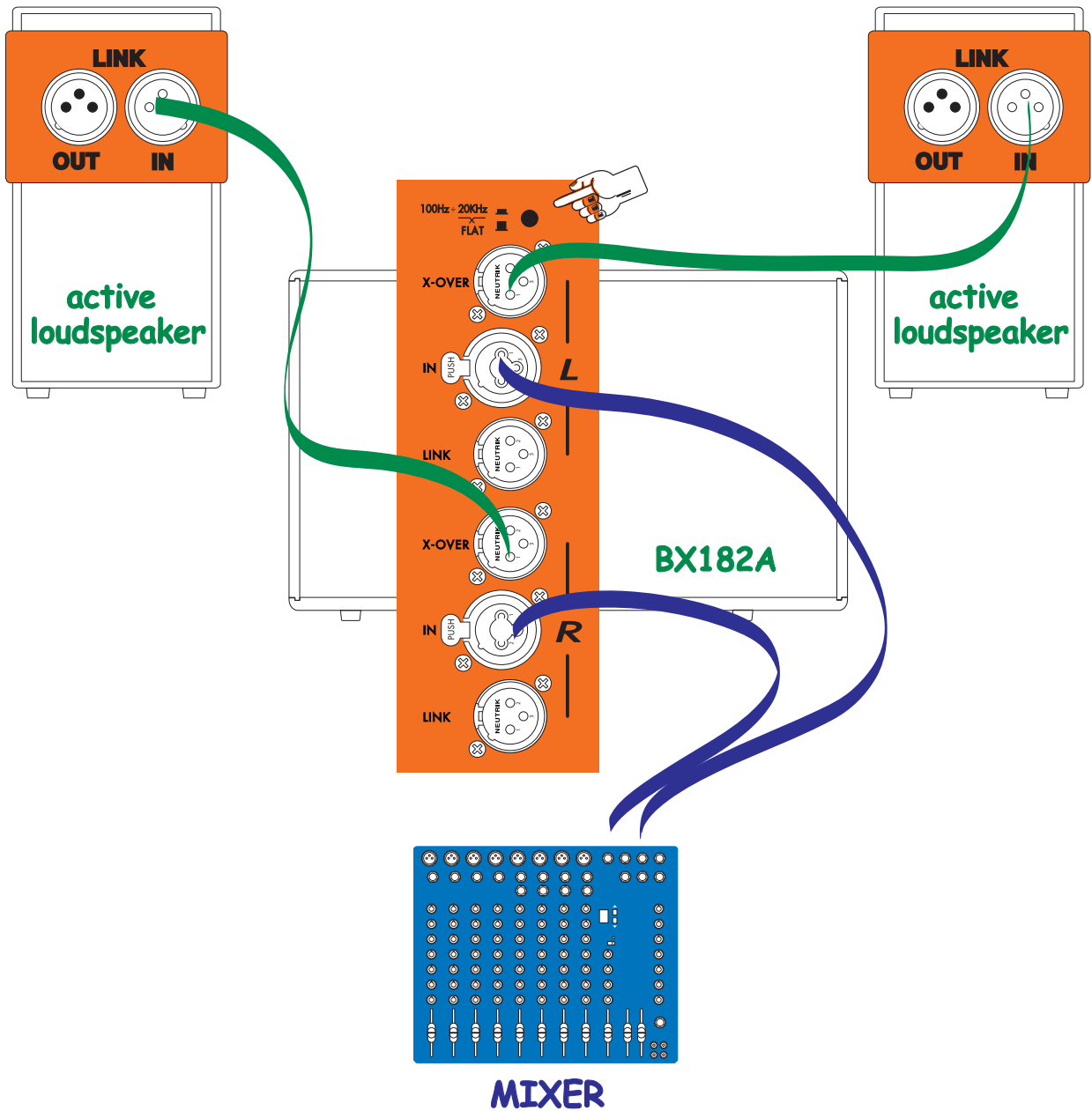
BX182A 'R' Link OUTPUTS → 'R' INPUTS of other BX182A



One BX182A + two active loudspeakers

always use balanced shielded cables

BX182A: button pushed X-OVER mode



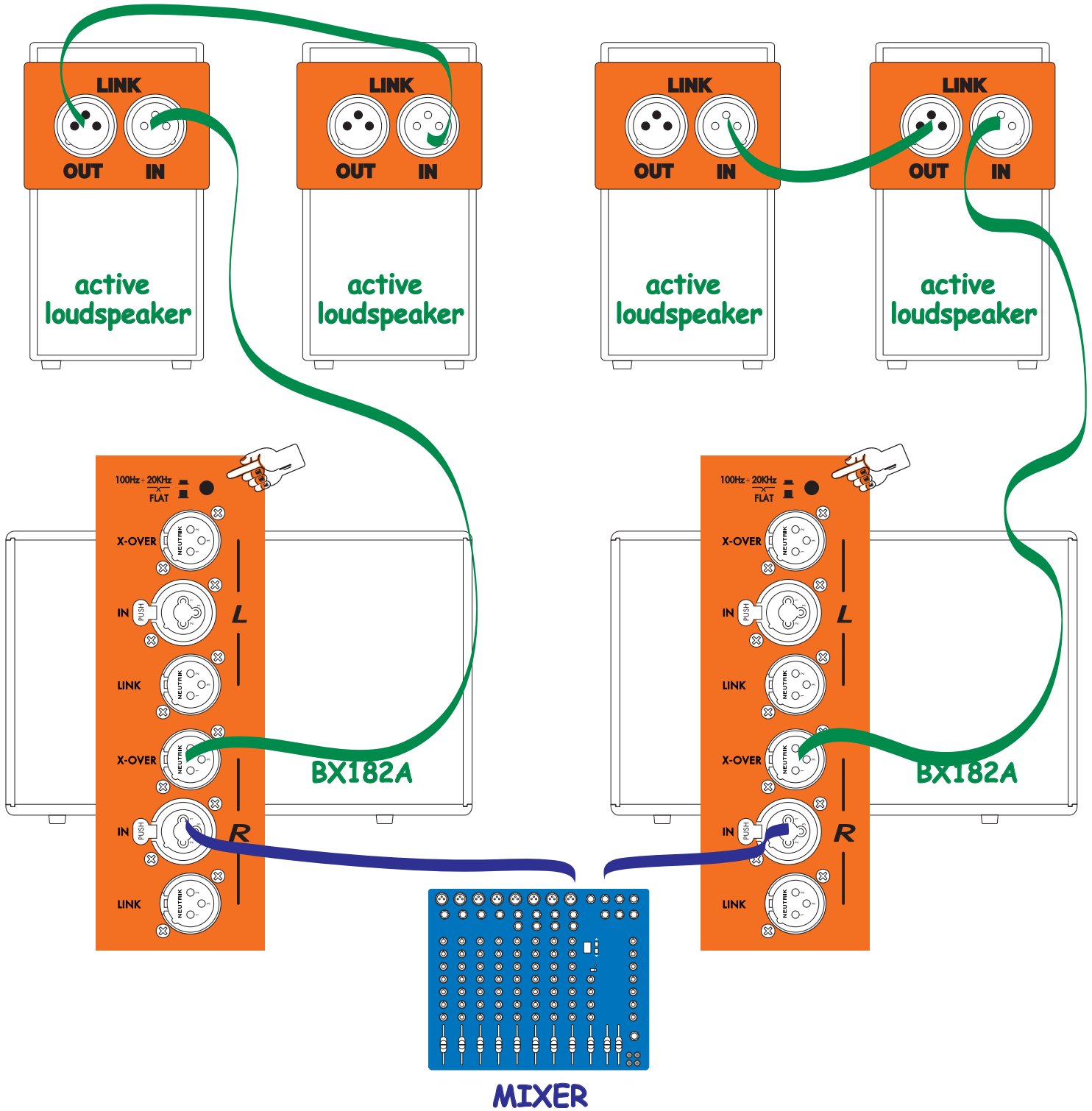
- MIXER L/R OUTPUTS BX182A L/R INPUTS
- BX182A 'L' X-over OUTPUT ACTIVE LOUDSPEAKER INPUT
- BX182A 'R' X-over OUTPUT ACTIVE LOUDSPEAKER INPUT



Two BX182A + two or more active loudspeakers

always use balanced shielded cables

BX182A: button pushed X-OVER mode



MIXER L/R OUTPUTS → BX182A 'R' INPUTS

BX182A 'R' X-over OUTPUTS → ACTIVE LOUDSPEAKER INPUTS