



BX182A

biamped, active subwoofer, with 2 amps, 2 processors and STEREO electronic cross-over

Limiters: led indicator

Volume: input level control.
Allows to set the input sensitivity of the built-in power amplifier.

X-over vol: allows to set the volume of the speaker systems connected to the X-Over output

2 unbalanced XLR male sockets for the STEREO x-over output

2 balanced Neutrik Combo® sockets for the STEREO input

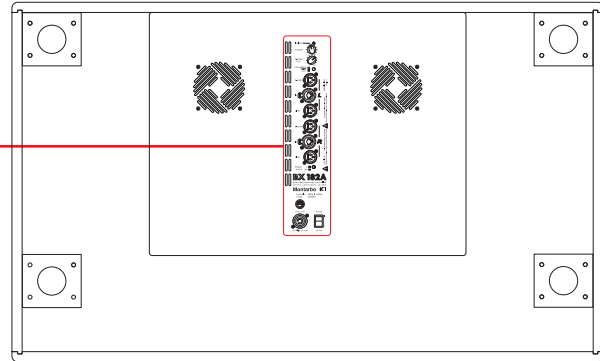
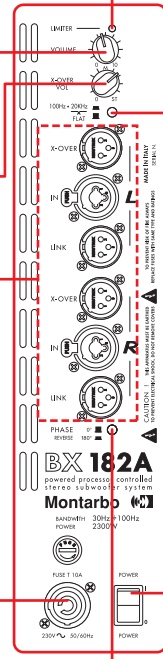
2 balanced XLR male sockets for the 'link' outputs allowing parallel connection of more BX182A or other self-powered system

X-over/Flat switch: allows the satellite systems, connected to the stereo output, to receive a full-range signal or the upper audio range only

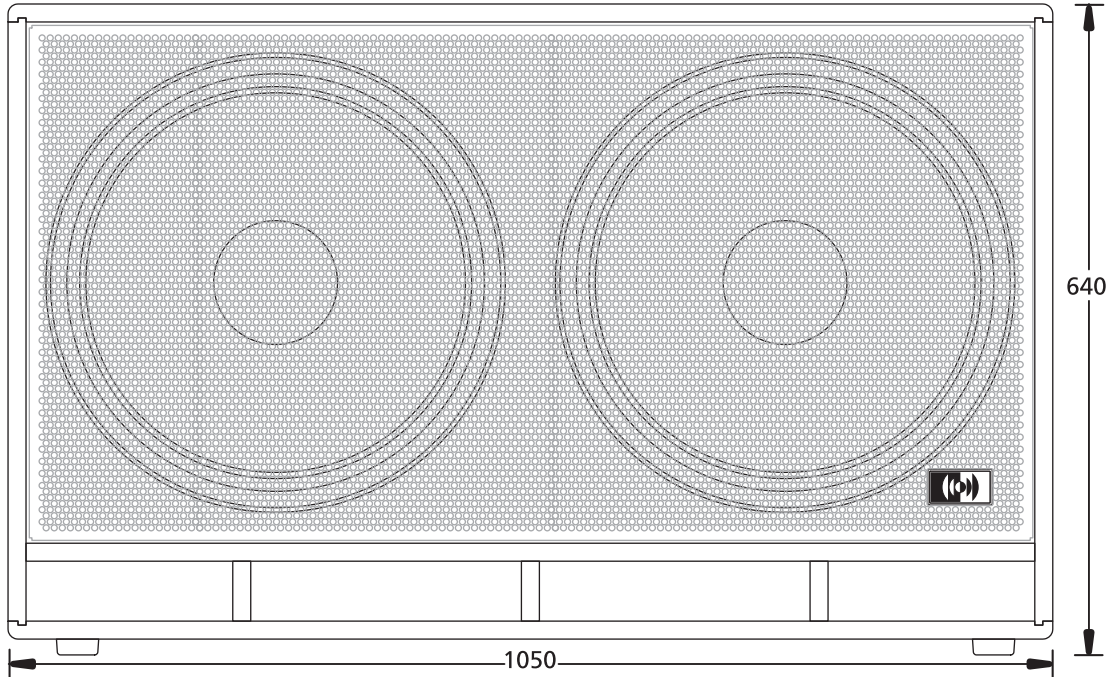
Mains power socket

Mains power on/off switch

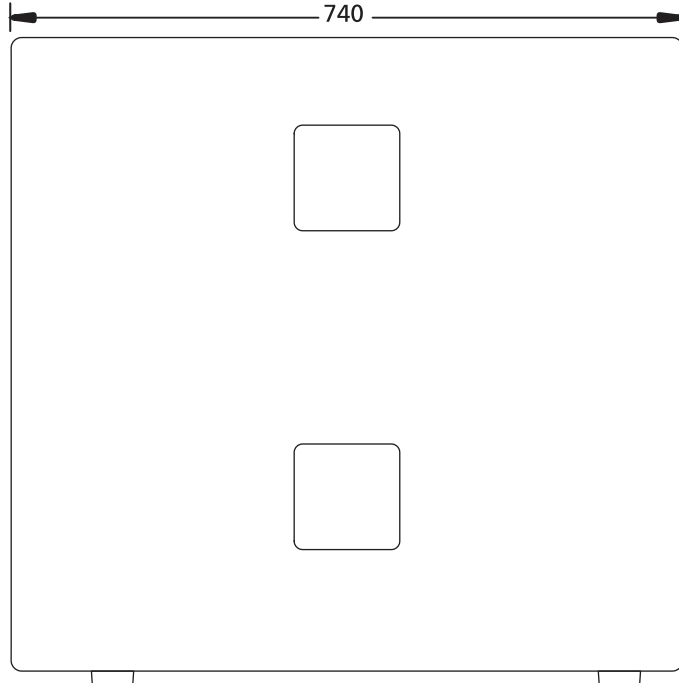
Phase reverse switch



Front view



Side view



ALL UNITS IN MILLIMETERS