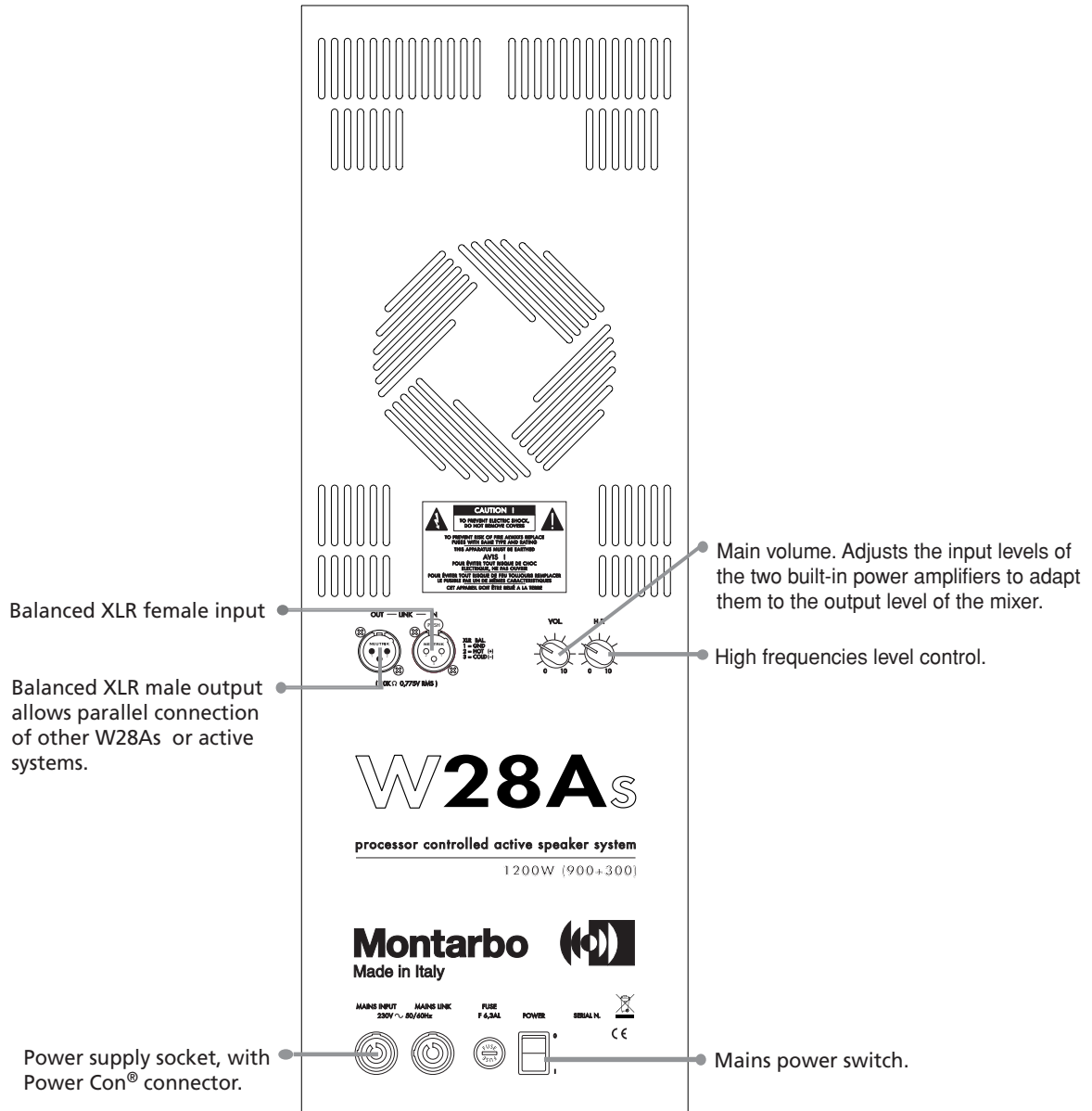




W28As

biamped, 2-way active system with 2 power amps, 2 processors and electronic cross-over

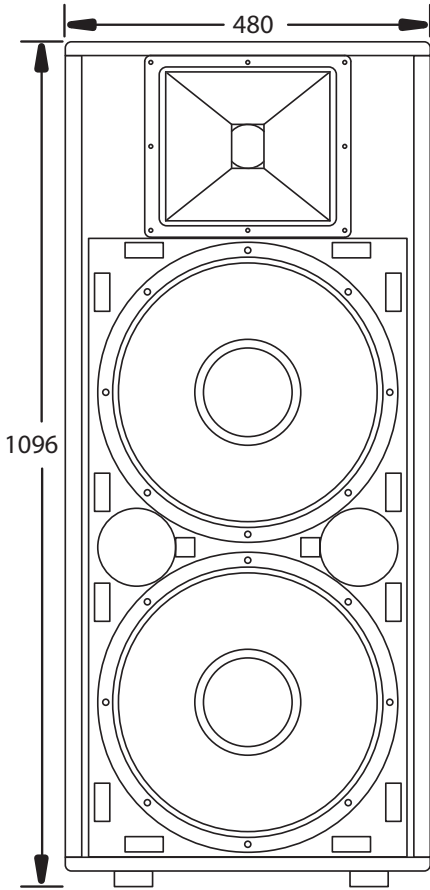




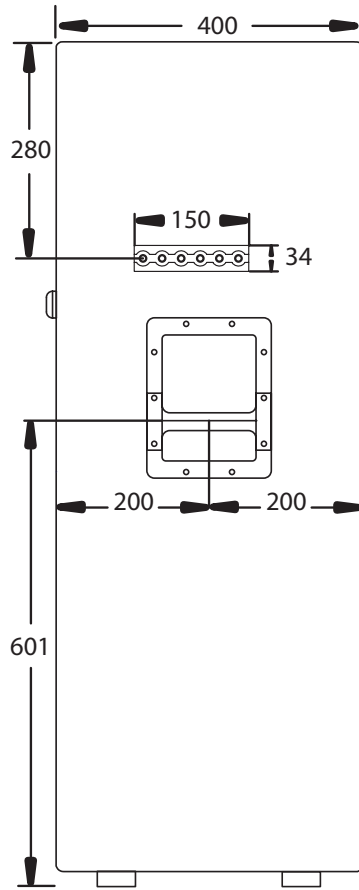
W28As

biamped, 2-way active system with 2 power amps, 2 processors and electronic cross-over

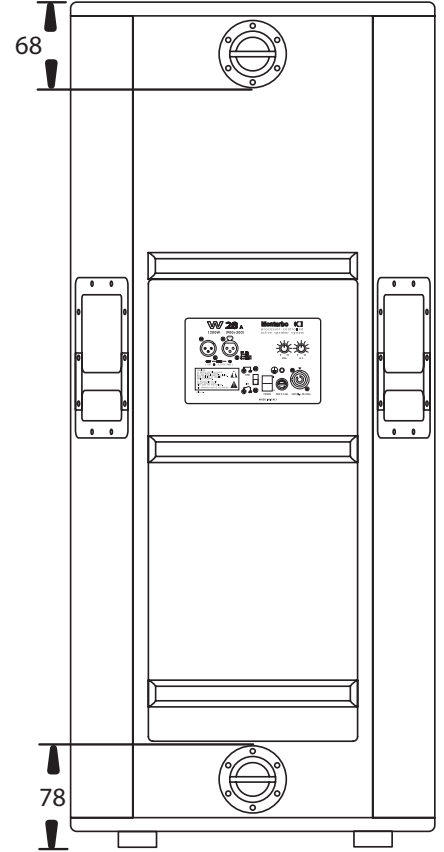
Front view



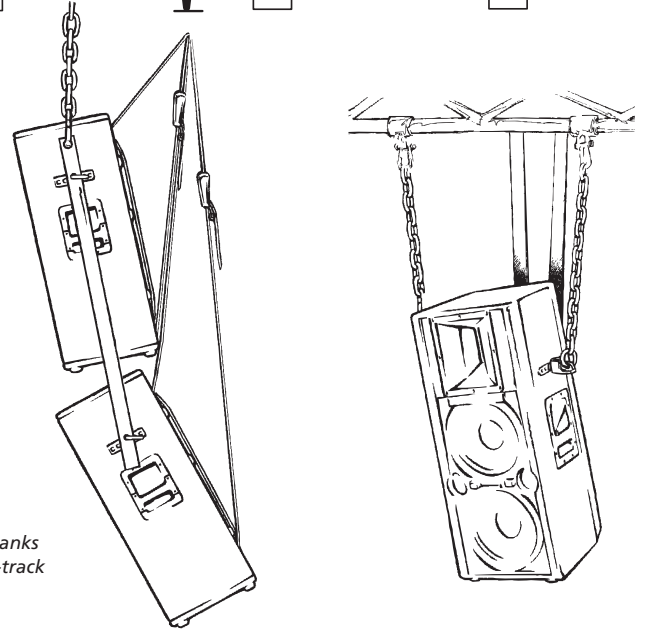
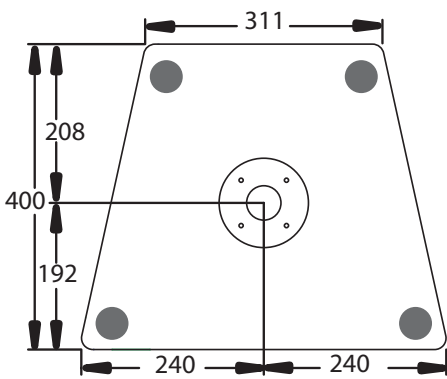
Side view



Rear view



Bottom view



W28As may be flown thanks to industry-standard fly-track suspension systems.

ALL UNITS IN MILLIMETERS